

FIG.1a

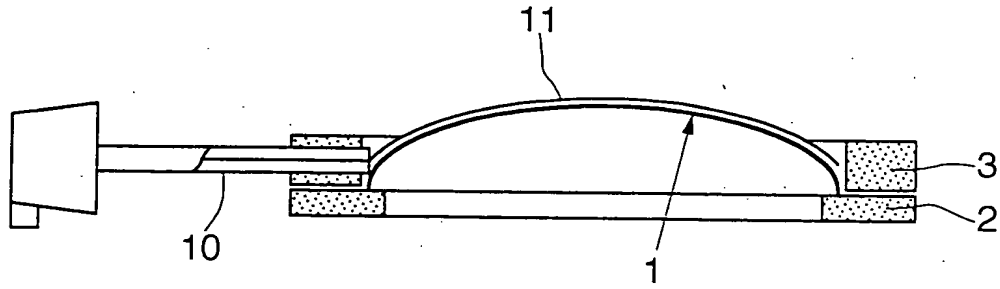


FIG.1b

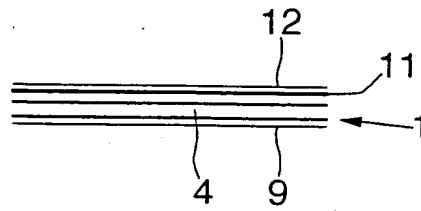


FIG.2

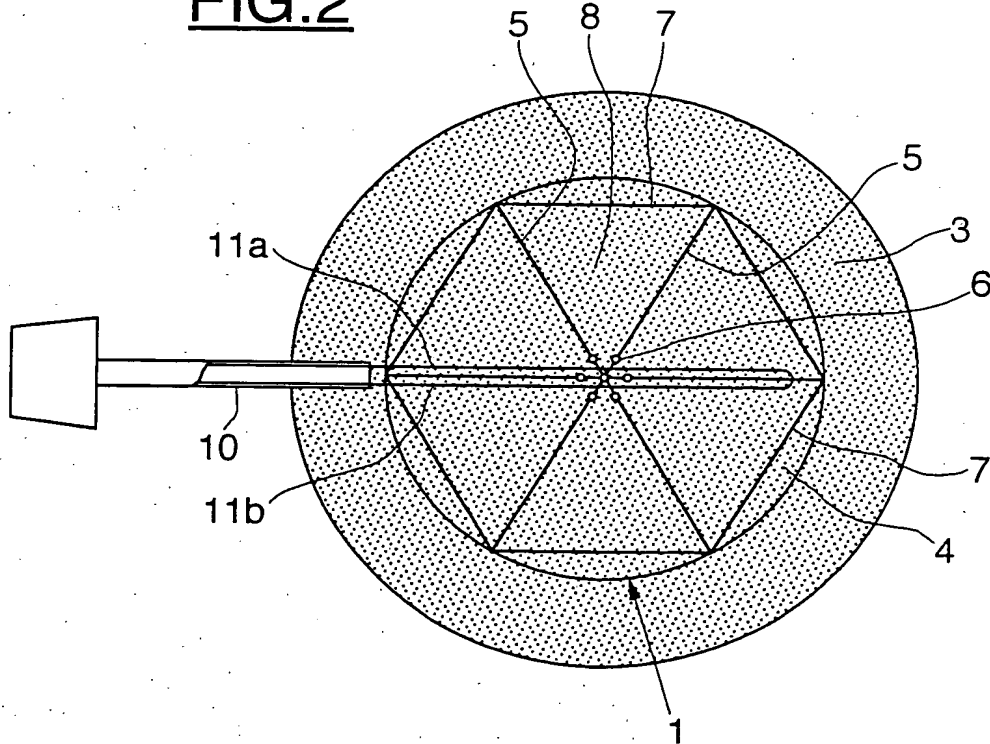


FIG.3

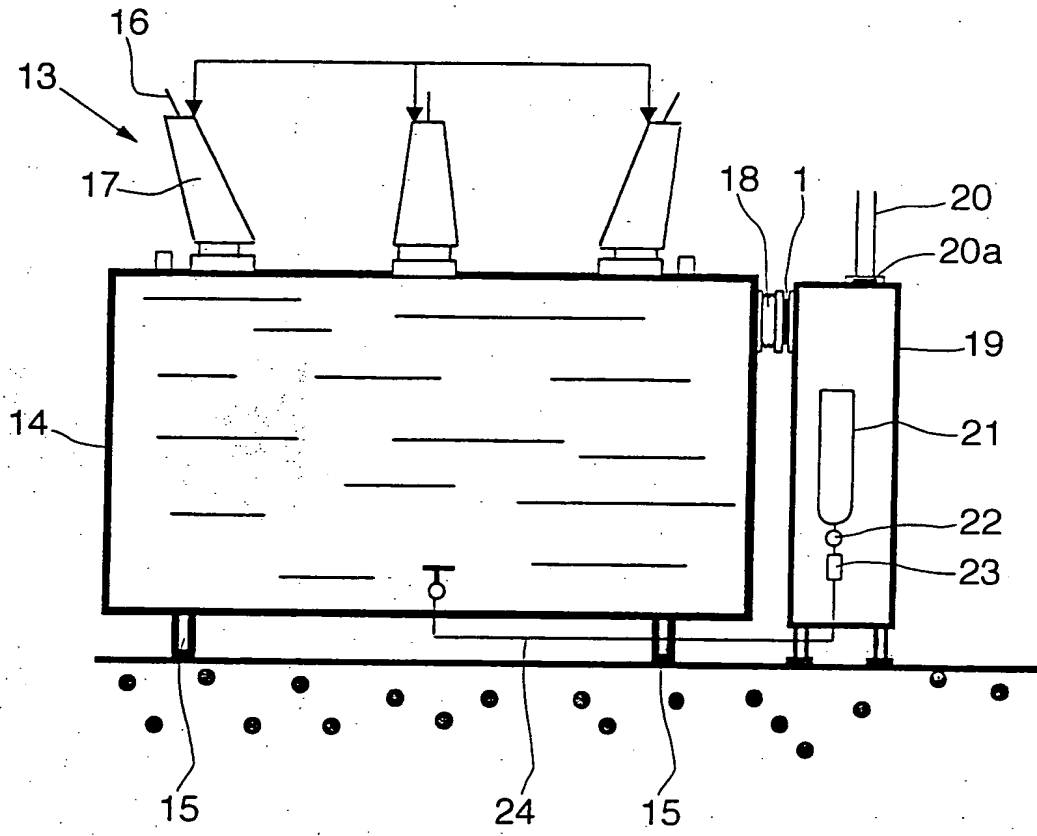


FIG. 3 is a schematic diagram of a system for measuring the flow rate of a fluid through a pipe. The system includes a chamber (14) with a flow inlet (13) and a flow outlet (15). The chamber is connected to a flow meter (19) which includes a flow sensor (21) and a flow controller (22). The flow meter is connected to a flow line (20) and a flow line (20a). The flow meter is also connected to a flow line (24) which is connected to the flow inlet (13). The flow meter is also connected to a flow line (23) which is connected to the flow outlet (15). The flow meter is also connected to a flow line (18) which is connected to the flow inlet (13). The flow meter is also connected to a flow line (1) which is connected to the flow inlet (13). The flow meter is also connected to a flow line (16) which is connected to the flow inlet (13). The flow meter is also connected to a flow line (17) which is connected to the flow inlet (13). The flow meter is also connected to a flow line (19) which is connected to the flow inlet (13). The flow meter is also connected to a flow line (20) which is connected to the flow inlet (13). The flow meter is also connected to a flow line (20a) which is connected to the flow inlet (13). The flow meter is also connected to a flow line (21) which is connected to the flow inlet (13). The flow meter is also connected to a flow line (22) which is connected to the flow inlet (13). The flow meter is also connected to a flow line (23) which is connected to the flow inlet (13). The flow meter is also connected to a flow line (24) which is connected to the flow inlet (13).

FIG. 4

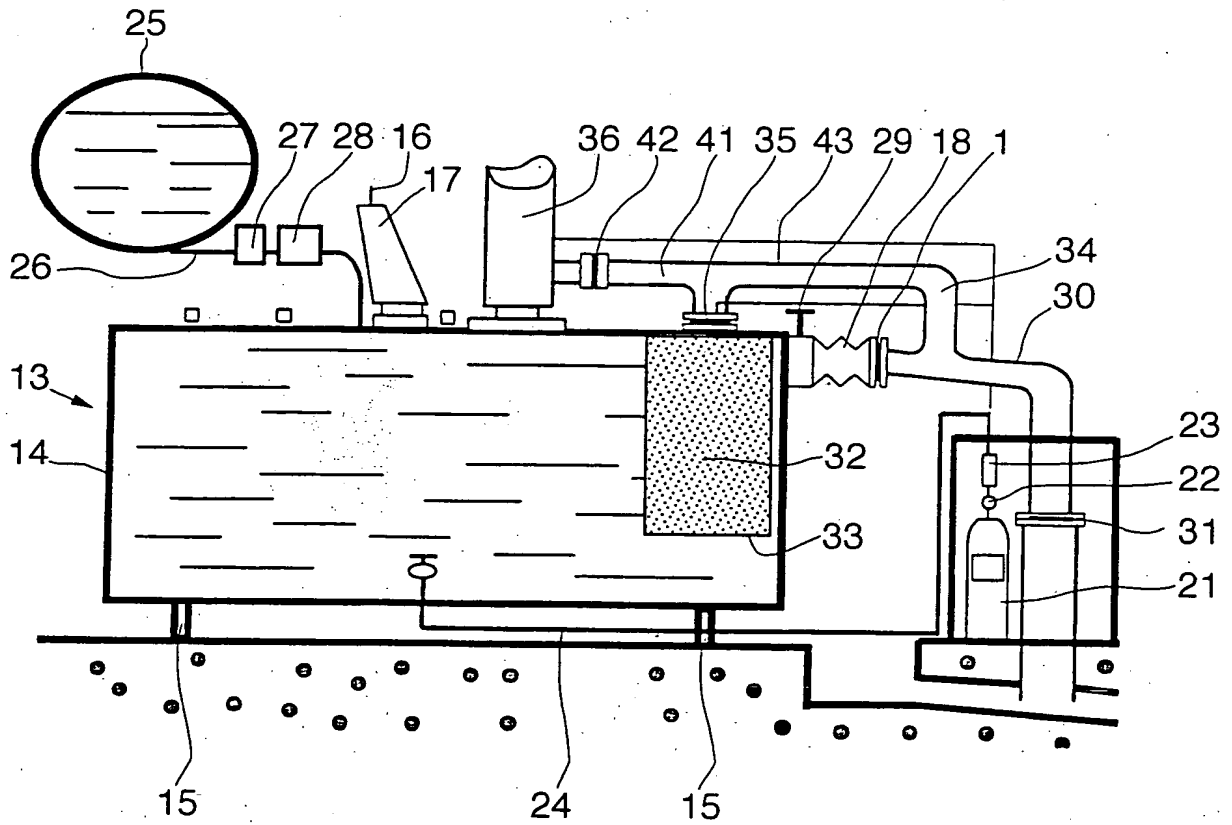
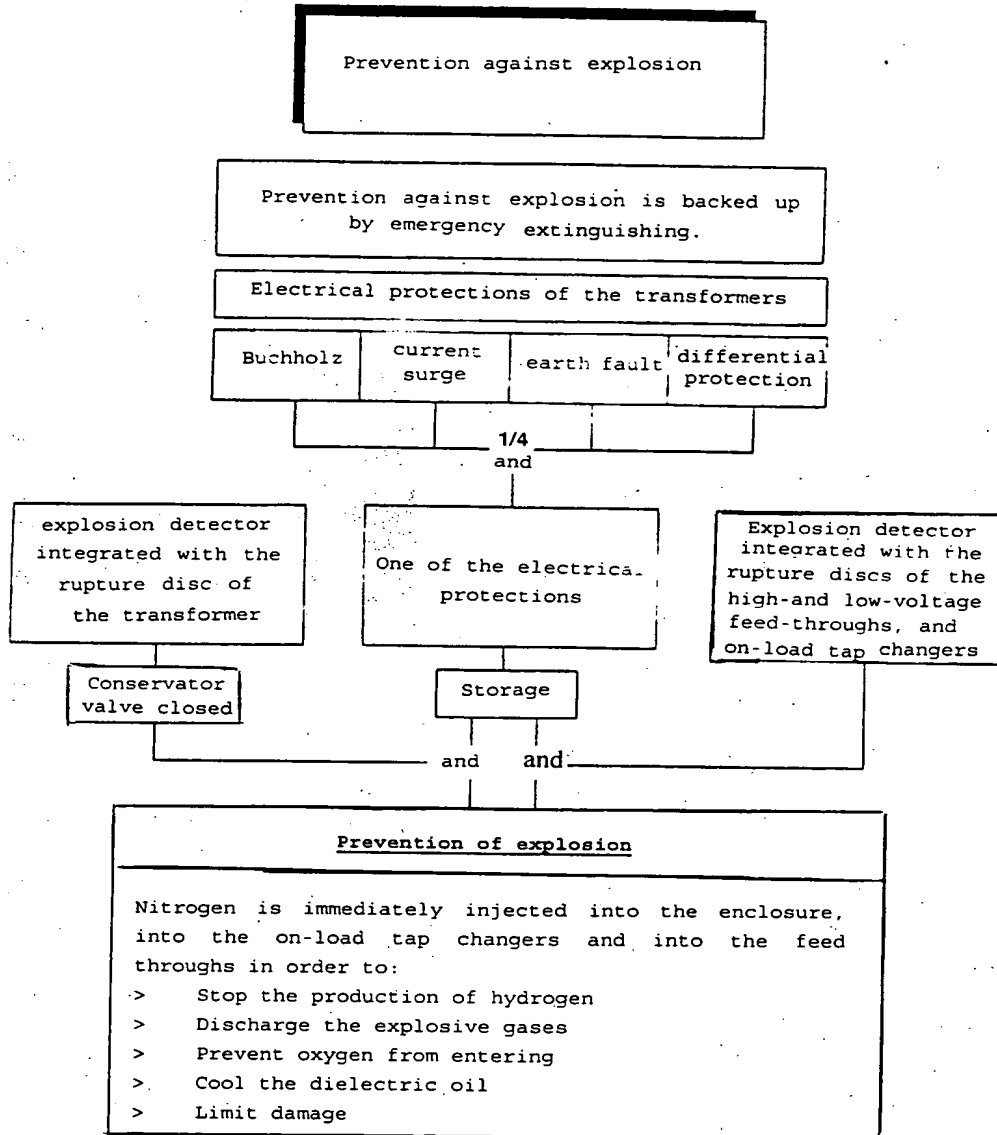
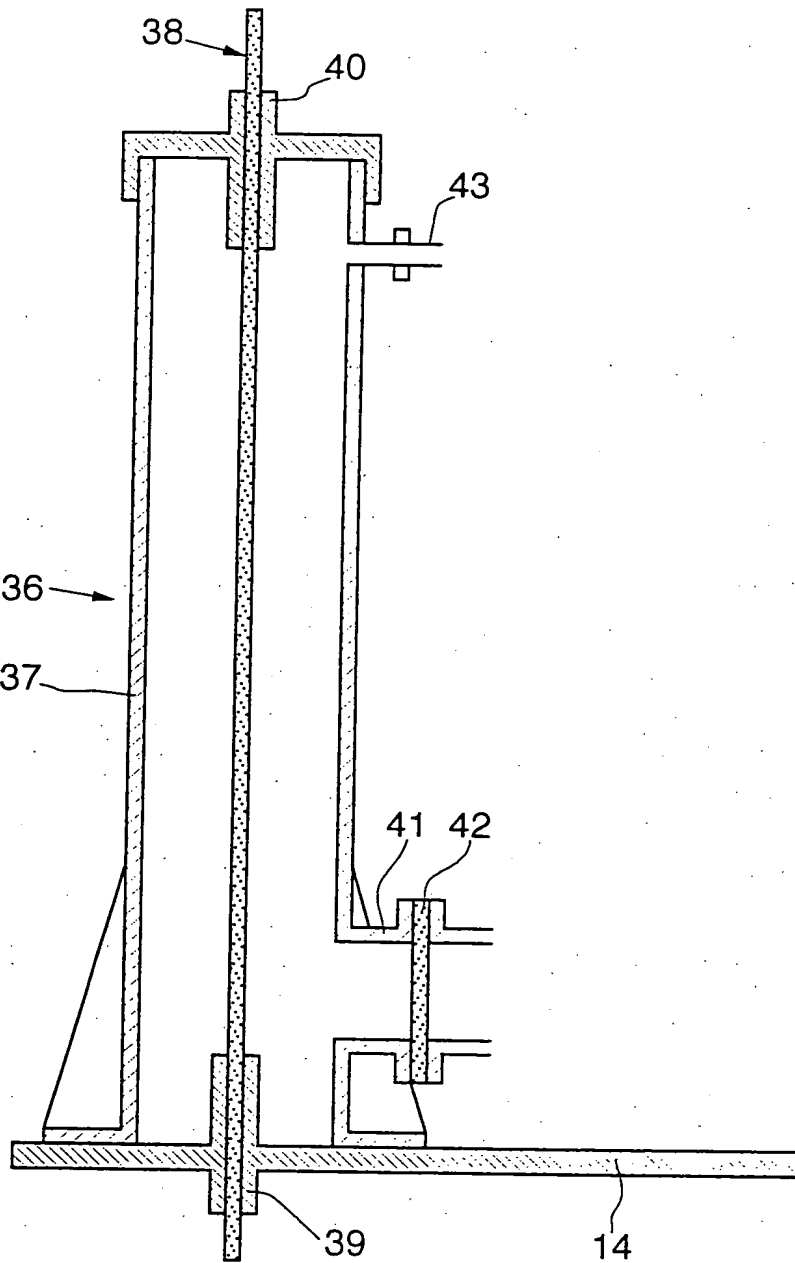


FIG.5



This document contains information that is classified as "Confidential" under the provisions of the Atomic Energy Act of 1954, as amended, and the Atomic Energy Regulations. It is intended for the use of the recipient only and is not to be distributed outside the recipient's organization.

FIG.6



09/937362